

HANDOUT : PLANIMETER PARTS, SET-UP, & READING

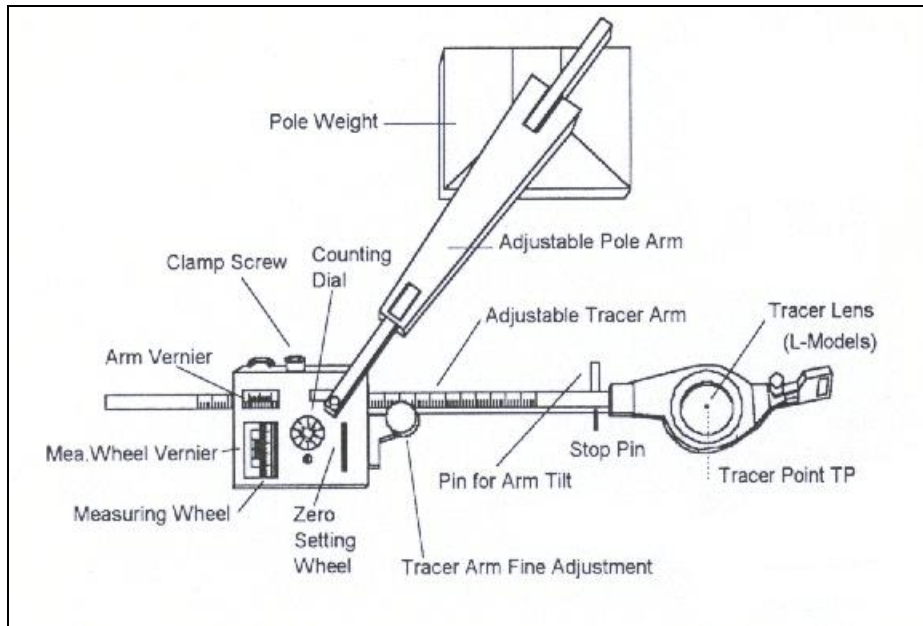


Figure 1. Planimeter parts and set-up.

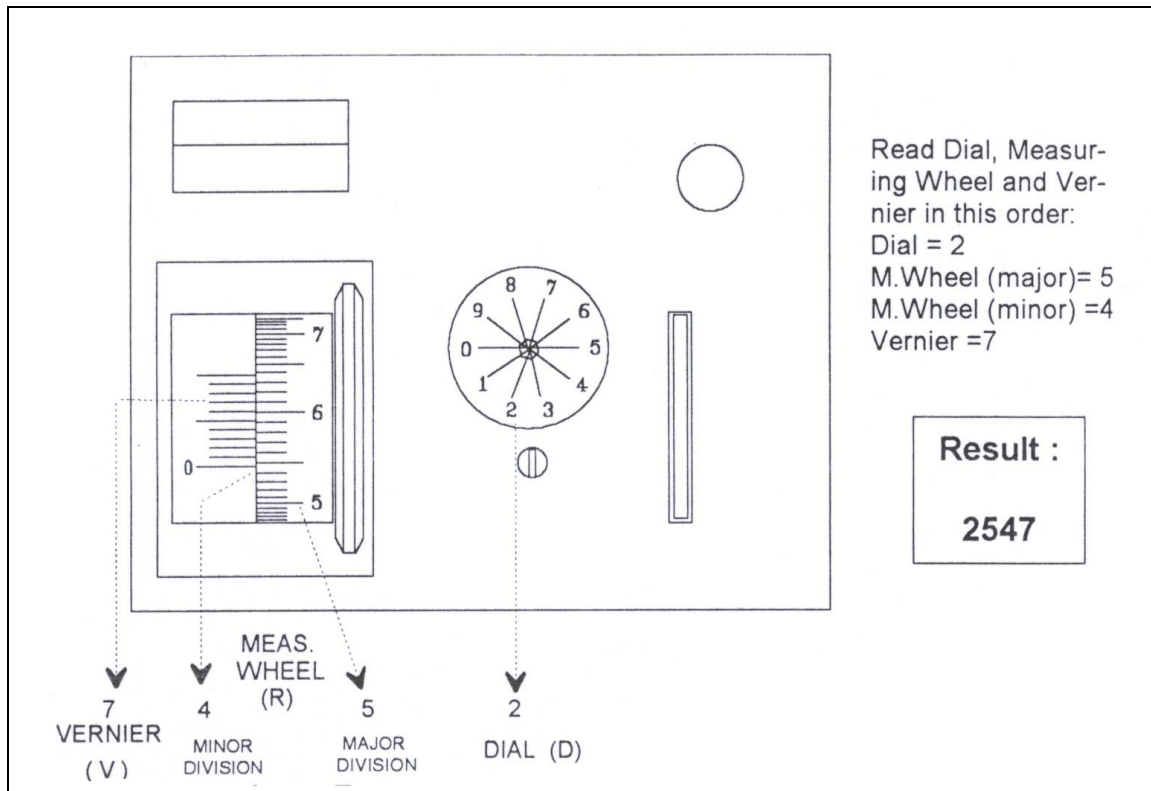


Figure 2. Reading a planimeter.

