



BICENTENNIAL CLASS OF 2015
A
ORIENTATION

2011 PARENT SCHEDULE OF EVENTS
ALLEGHENY COLLEGE

Saturday, August 27

10:00 A.M. – 2:00 P.M.

RESIDENCE HALL MOVE-IN/ORIENTATION CHECK-IN

Pick up your student's room key and check in for New Student Orientation at their assigned residence hall. Volunteers will help you unload your car and move your student's belongings into his/her room. Check-in for commuter students is in the Campus Center lobby.

10:00 A.M. – 3:00 P.M.

CAMPUS & LOCAL SERVICES (CAMPUS CENTER LOBBY)

Once your student has moved in, head to the Campus Center to pick up your student's AllCard and finish the check-in process. The following offices and services will be set up in the Campus Center: AllCard (student ID cards), Financial Services (billing, shop deposits), Financial Aid, Orientation Information, Armstrong Cable, and local banks.

NOON OR 2:00 P.M.

MANDATORY STUDENT EMPLOYMENT MEETINGS (SHAFAER AUDITORIUM)

This meeting is mandatory for all students seeking a job on campus. Human Resources will review how to find a job, complete required paperwork, and the process for receiving payments. Please bring two forms of ID; one photo ID (passport or driver's license) along with a social security card, birth certificate, etc.

4:00 P.M.

MULTICULTURAL STUDENT AND FAMILY RECEPTION (TIPPIE ALUMNI CENTER)

This reception is for anyone who is interested in diversity or multiculturalism at Allegheny College. Food and beverages will be served.

4:30 P.M.

CATHOLIC MASS AND RECEPTION (FORD CHAPEL)

The Newman Association invites incoming Catholic students and their families to get acquainted with Allegheny's Catholic campus ministry and enjoy refreshments following the first Mass of the year, which will be said by Father Marc Solomon.

DINNER ON YOUR OWN

Enjoy dinner in Brooks or McKinley's, or feel free to venture off campus to have dinner in Meadville.

6:00 P.M. – 7:00 P.M.

FAMILY WELCOME DESSERT AND OPEN HOUSE (GATOR QUAD, RAIN LOCATION: CAMPUS CENTER LOBBY)

The campus community officially welcomes you to the Allegheny family! Enjoy Gator-inspired desserts and meet with students and staff members from all over campus.

7:00 P.M.

BRIAN C. JOHNSON - REEL DIVERSITY (SHAFAER AUDITORIUM)

Brian's creative keynote, Reel Diversity, frames the diversity conversation through modern film. By sharing clips of well-known films and discussing the messages they consciously or unconsciously give, Brian allows every student to see himself or herself as diverse.

8:00 P.M.

PANEL DISCUSSION WITH CAMPUS ADMINISTRATORS (SHAFAER AUDITORIUM)

Parents will have the opportunity to ask questions and hear presentations by professional staff members representing multiple Allegheny departments. Some of the presenters include professionals from the Dean of Students Office, Residence Life, Winslow Health Center, Counseling Center and Safety and Security.

Sunday, August 28

8:30 A.M.

CONTINENTAL BREAKFAST RECEPTIONS

Students and families should feel free to attend any reception you feel comfortable with and are welcome and encouraged to attend more than one reception.

ALLEGHENY LEGACIES (TIPPIE ALUMNI CENTER) - For students who have family members who graduated from Allegheny.

TRANSFER STUDENTS (CAMPUS CENTER, GROUNDS FOR CHANGE)

GATOR OUT-OF-STATERS (SCHULTZ) - Families coming from outside of Pennsylvania or farther than three hours from Meadville in PA can take this opportunity to connect.

VARSITY ATHLETES (WISE CENTER BLUE COURTS) - Recruited varsity athletes and their families can meet each other, their coaches and the Director of Athletics during this reception.

NEW CONNECTIONS (ART GALLERY) - Any first generation new student and family can attend this reception to meet other first year families as you begin a new legacy at Allegheny.

9:00 A.M. – 11:00 A.M.

DEAN OF STUDENTS, COUNSELING CENTER, RESIDENCE LIFE AND DISABILITY SERVICES TABLES (CAMPUS CENTER, 301, 302, 303, 317, 318)

Representatives from each department will be available during this time for consultations and general information.

10:00 A.M.

ECUMENICAL SERVICE OF MORNING PRAYER (FORD CHAPEL)

Join us for fellowship, followed by a prayer service for this time of transition, led by Chaplain Jane Ellen Nickell.

HILLEL BAGEL BRUNCH (JEWISH COMMUNITY CENTER, 380 PARK AVENUE)

Students and their families are invited to a brunch to meet members of the Allegheny and Meadville Jewish communities as well as to learn about opportunities for getting involved in Jewish life.

NOON – 1:00 P.M.

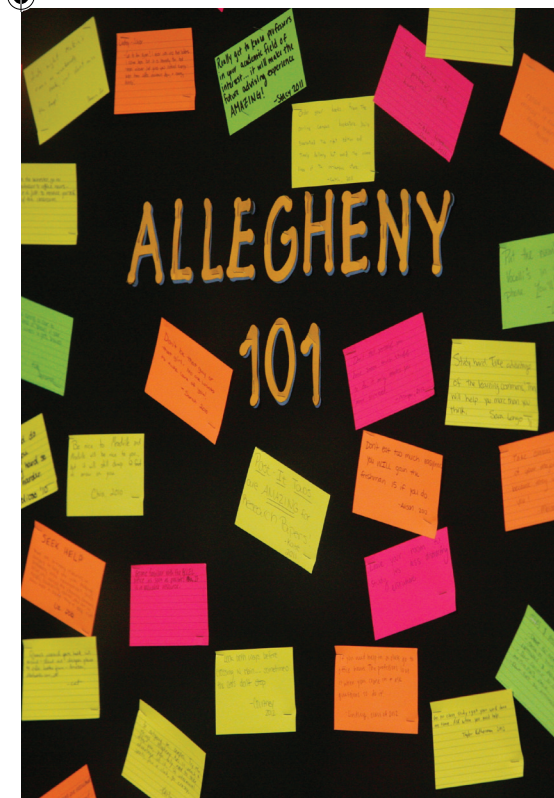
MATRICULATION (CAMPUS CENTER, SHAFAER AUDITORIUM)

This formal ceremony welcomes students as members of the Allegheny community. Immediately following the ceremony, students and families will have the opportunity to engage in discussion with our Dean of Students. Dress for Matriculation is casual.

Matriculation is the last scheduled parent event. Please be sure to say goodbye to your student before their next scheduled event at 2:30. We wish you a safe trip home and hope to see you at Family Weekend 2011, September 23-25.

Questions?

If you need help during orientation- call the Learning Commons at 814-332-2898. For more information get orientation updates via text message by texting **follow alleghenyorient** to 40404.



DINING HALL HOURS

Saturday, August 27

McKinley's, Campus Center.....10:00 a.m. - 2:00 p.m.
4:00 p.m. - 6:45 p.m.

Brooks Dining Hall.....4:00 p.m.- 6:45 p.m.

Sunday, August 28

McKinley's, Campus Center.....1:00 p.m. - 2:30 p.m.
5:00 p.m. - 6:45 p.m.

Brooks Dining Hall.....1:00 p.m. - 2:30 p.m.
5:00 p.m. - 6:45 p.m.

Students are given an Orientation meal plan that includes meals and Munch Money to be used in Brooks or McKinley's. Students can use their AllCard and parents must pay cash.



OPEN OFFICES & SERVICES

Saturday, August 27

Computing Services (Murray Hall & Baldwin).....	Noon – 5:00 p.m.
Computing Services (Campus Center, 206)	10:00 a.m. – 3:00 p.m.
Bookstore (Campus Center)	10:00 a.m. – 4:00 p.m.
Orientation Information Table (Campus Center).....	10:00 a.m. – 4:00 p.m.
Post Office (Campus Center)	10:00 a.m. – 4:00 p.m.
Winslow Health Center (Schultz Hall, Park Ave. Entrance)	11:00 a.m. – 3:00 p.m.

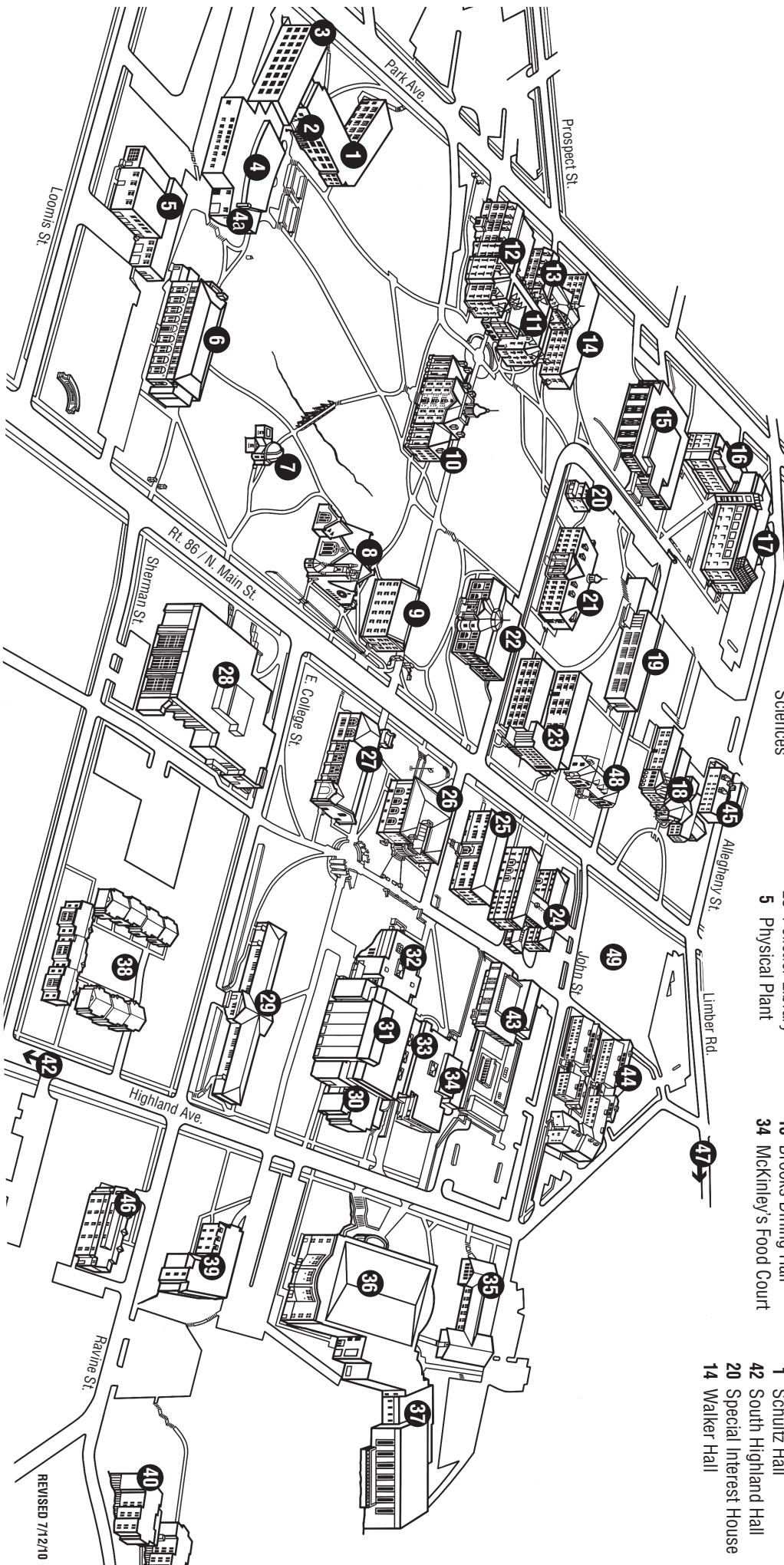
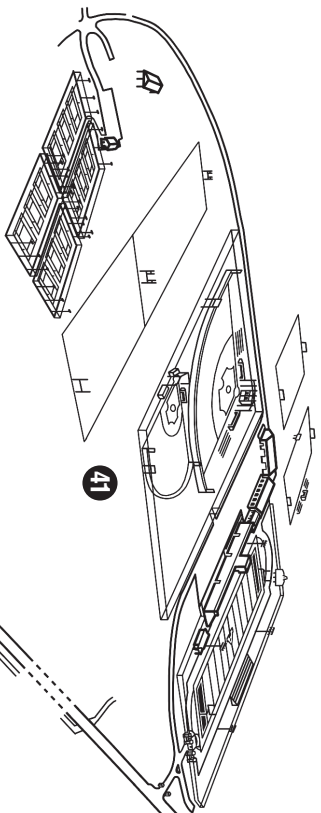
Sunday, August 28

Computing Services (Murray Hall & Baldwin).....	Noon – 4:00 p.m.
Orientation Information Table (Campus Center).....	8:30 a.m. – Noon
Bookstore (Campus Center).....	10:00 a.m. – 4:00 p.m.
Dean of Students, Counseling Center, Res. Life, Disability Services (CC)...	9:00 a.m. – 11:00 a.m.
Winslow Health Center (Schultz Hall, Park Ave. Entrance)	9:00 a.m. – Noon

IMPORTANT ORIENTATION PHONE NUMBERS

ALLEGHENY AREA CODE: 814

Safety and Security	332-3357
Orientation Questions (Learning Commons)	332-2898
Residence Life	332-3865
Dean of Students	332-4356
Counseling Center	332-4368
Health Center	332-4355
User Services (Computer Support)	332-2755
Financial Aid & Enrollment Support.....	332-4701
Financial Services	332-2360
Human Resources.....	332-2312



ACADEMICS

- 25 Alden Hall
- 30 Arnold Hall of Music
- 21 Arter Hall
- 6 Carnegie Hall
- 15 Carr Hall
- 32 Doane Hall (Art)
- 16 Doane Hall of Chemistry
- 27 Montgomery
- 29 Murray Hall
- 18 Oddfellows
- 19 Quigley Hall
- 9 Ruter Hall
- 17 Steffee Hall of Life Sciences

ADMINISTRATION/GENERAL

- 43 Vukovich Center for Communication Arts
- 48 454 House
- Admissions/Financial Aid
- 10 Bentley Hall
- 4a East Alcove Meeting Room
- 2 Financial Services
- 8 Ford Memorial Chapel
- 33 Henderson Campus Center
- 7 Newton Observatory
- 28 Palletier Library
- 5 Physical Plant

ATHLETICS

- 22 Reis Hall
- 4 Schultz Banquet Hall
- 31 Shafer Auditorium
- 26 Tripple Alumni Center at Cochran Hall
- 3 Winslow Health Center
- 37 Mellon Recreation Building
- 41 Robertson Athletic Complex
- 36 Wise Sport & Fitness Center
- 13 Brooks Dining Hall
- 34 McKinley's Food Court

RESIDENCES

- 47 Allegheny Commons
- 45 Allegheny Hall
- 23 Baldwin Hall
- 11 Brooks Hall
- 24 Catfisch Hall
- 38 College Court
- 35 Crawford Hall
- 39 Edwards Hall
- 12 Hulings Hall
- 44 North Village
- 49 North Village II
- 46 Phi Kappa Psi Building
- 40 Ravine-Narvik Hall
- 1 Schultz Hall
- 42 South Highland Hall
- 20 Special Interest House
- 14 Walker Hall

ALLEGHENY COLLEGE

www.allegheny.edu/visitcampus

520 N. MAIN STREET • MEADVILLE, PA 16335

REVISED 7/12/10